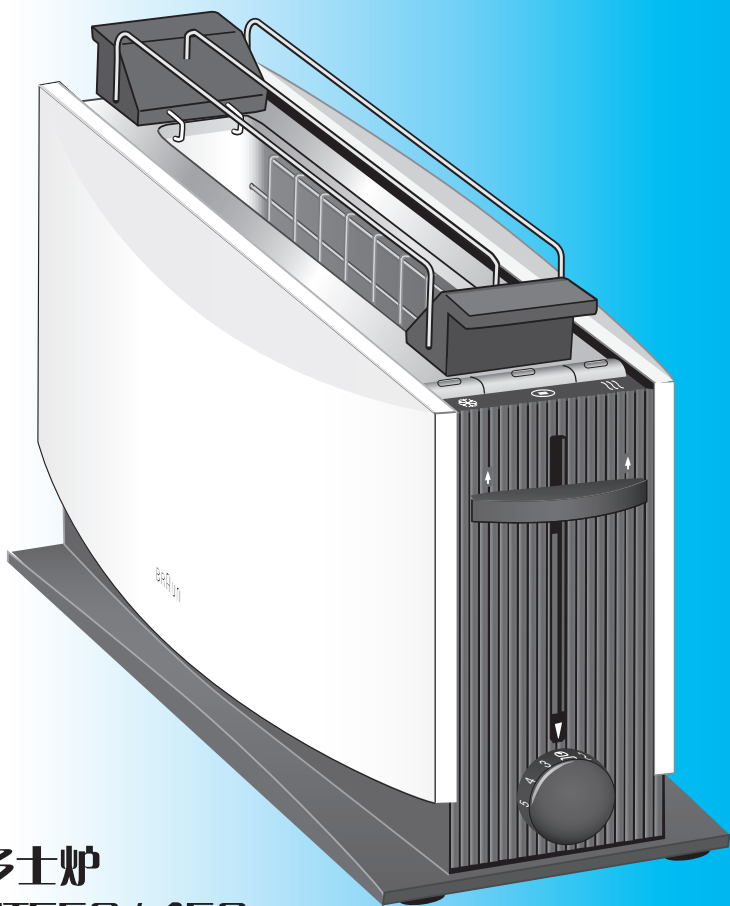


# BRAUN

## MultiToast

HT 550    HT 450

HT 500    HT 400



多士炉

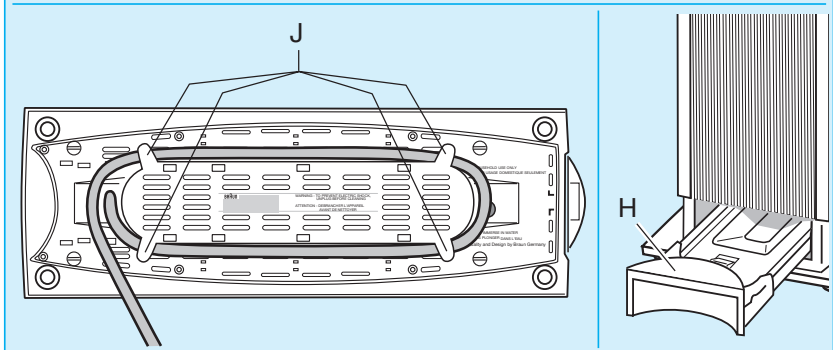
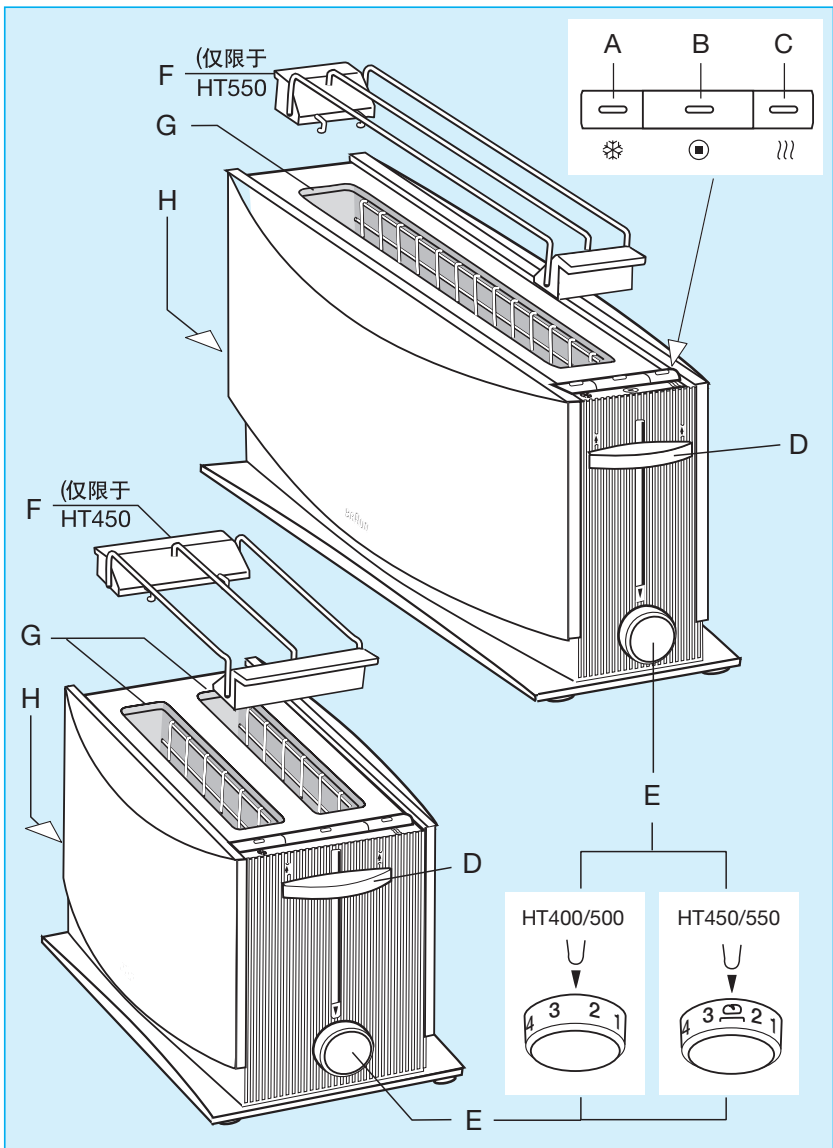
HT550 / 450

HT500 / 400

[www.braun.com/register](http://www.braun.com/register)

型号 4119

型号 4120



## 中文

我们的产品设计理念旨在满足质量、功能、设计方面的高标准。我们希望您可以从全新博朗产品中获得全身心的享受。

### 注意事项

使用产品前请仔细阅读使用说明书,并请妥善保管。

请将本产品置于儿童无法触及之处。

请勿在无人照看的情况下使用本产品。

在将插头插入插座之前,请检查一下您处的电压是否与本机底部所印的电压相一致。本机内侧发热时,请勿触摸。不要让电线接触到本机的内侧。

应小心看管儿童以保证他们不会玩弄此产品。

请勿将金属物品放入本烘烤器中。

本电器不适宜烘烤薄脆饼干、面包干以及类似食品。

请不要将烘烤物入口槽遮盖住,也不要放入外层包有锡纸的食物。

使用本产品时请务必将碎屑托盘放在相应的位置上。

本产品只有在竖直放置的状态下才可使用。面包有可能燃烧,请勿在靠近窗帘及其他可燃材料的地方或在窗帘及其他可燃材料的下方使用。

本产品易热,尤其是其金属部件。储藏之前请先将其冷却。

博朗电器符合适用的安全标准。电器修理(包括电线的更换)只能由授权的服务人员进行。错误或不合格的修理可能导致事故或对用户造成伤害。

该产品是专门为家庭使用而设计的。

如果电源软线损坏,为了避免危险,必须由制造商、其维修部或类似部门的专业人员更换。

### 产品说明

- A 解冻开关
- B 手动停止开关
- C 加热开关
- D 面包升降器
- E 烘烤程度控制钮
- F 面包架(仅限于HT550型与HT450型)

G 烘烤物入口槽

H 碎屑托盘

J 电源线存储格

首次使用前,把旋转钮转到《4》这一档,无须放入任何烘烤物,把烘烤器加热2到3次。这样能去除机器生产过程中可能产生的一些气味。

### 操作

本产品能烘烤各种大小、能为烘烤物入口槽所容纳的面包。

- 确保碎屑托盘(H)放置在相应的位置上。
- 放入面包,然后按下面包升降器(D)。
- 通过旋转烘烤程度控制钮(E),您可选择您想要的烘烤程度:从《1》(面包呈淡色)到《7》(面包呈深色)。
- 当面包烘烤到了您所选择的烘烤程度时,面包将被自动托起。
- 通过把面包升降器(D)上移,您可将面包进一步抬高。为了您使用方便,面包升降器可停留在较高的位置。
- 如果您想终止烘烤,请按下手动停止开关(B),面包将会被托起,烘烤器关闭。
- 如果烘烤器在工作中意外停止运转,只需重新启动即可。

### 面包被卡

如果面包被卡在了烘烤物入口槽(G),请先拔出烘烤器的电源插头,让机器冷却,然后再用一个非金属的、不锋利的工具将被卡的面包取出。

### 烘烤冷冻过的面包

如果您想烘烤冷冻过的面包,请先放入面包,选择好您想要的烘烤程度(调节烘烤程度控制钮E),随后按下面包升降器(D),然后按解冻开关(A)。

### 再加热

如果您想对已冷却的烤面包进行再加热,请先按下面包升降器(D),然后按下加热开关(C)。

## 面包架

(仅限于HT550型和HT450型)

如果要加热的食物不适宜从烘烤物入口槽(G)放入,您可使用面包架。面包架(F)仅适用于放置面包、面包卷和酥皮糕点,切勿用于放置蛋糕、匹萨、烘烤罐头以及长条的大面包。这类体积较大的食物容易引起热量在烘烤器内的聚积。此外,请勿将带有锡纸包装的面包卷等食品放置在面包架上。

要加热面包时,先将烘烤程度控制钮(E)旋转到标有面包卷图案的位置,然后按下面包升降器(D)。

最大档的烘烤加热效果甚佳,烤架可同时烘烤两个面包卷。

## 清洁

在对本产品进行清洁工作之前,务必拔下其电源插头,并让其冷却。切忌用水冲洗烘烤器,也不要将其浸泡在水中。只需一块湿润的抹布在外表面擦拭即可。请勿使用钢丝绒或其他具有研磨性的清洁用具。可以使用少量的洗洁精。切忌使用酒精、汽油、苯等溶剂。每隔一段时间,可以将碎屑托盘(H)拉出,将其中的残留杂物倒净。

产品使用期限到期后请勿将其弃于家用垃圾箱内,产品回收处置可经由博朗服务中心进行或请通过您所在国家的回收站点进行相关处置。

如有更改,恕不另行通知。

该产品符合欧洲电磁兼容新指令2004/108/EC以及低电压指令2006/95/EC。



## 多士炉

HT550 / 450

HT500 / 400

型号 4119 / 4120

[www.braun.com/register](http://www.braun.com/register)

进口商: 博朗(上海)国际贸易有限公司  
地址: 上海市外高桥保税区菲拉路55号综合楼第四层A部位

原产地: 中国

经销商: 吉列(上海)产品服务有限公司  
地址: 上海市浦东新区三林路550号一号楼五层

邮编: 200124

Braun是德国博朗公司(Braun GmbH)的注册商标。

经德国博朗授权制造

## 保修

我们为产品提供为期2年的保修,保修期从购买日开始计算。在保修期内对于材料或生产过程中引起的各种瑕疵,我们会视情况更换零件或整个产品。申请保修必须将本产品和能够证明购买日期的证据(购货发票)一起交给授权的博朗维修站,本产品附有一张授权的维修站名单。

本保修适用于全球范围的所有经博朗公司及其指定供应商出售的博朗产品。

请确认已将购货发票放置在安全的地方。

上述保修不包括以下内容: 由于使用不当而造成的产品损坏。(如使用错误的电流、电压、将产品插入不合格的插座,或者人为破坏等)。正常使用引起的产品老化、磨损,但对产品的使用功能及价值影响不大。如果产品经过未经授权的人员的修理,或产品使用了非本公司(博朗)的零件,保修期即终止。

非家庭使用,(如工业、商用)引起的损坏。

本保修适用于全球范围的所有经博朗公司及其指定供应商出售的博朗产品。并且在当地没有进口限制或其它法律条文限制本保修即可执行。在保修期内提供的服务并不影响保修期的结束,保修期中替换的零件或整机的保修服务与本产品的保修期同时终止。除非确有法律规定,本公司不对其他任何要求负责。同供货商的销售合同中规定的各项权利不受此保修的影响。

## English

Our products are engineered to meet the highest standards of quality, functionality and design. We hope you thoroughly enjoy your new Braun appliance.

### Caution

Please read the use instructions carefully and completely before using the appliance.

This appliance is not intended for use by children or persons with reduced physical, sensory or mental capabilities, unless they are given supervision by a person responsible for their safety. In general, we recommend that you keep the appliance out of reach of children. Children should be supervised to ensure that they do not play with the appliance.

Do not use unattended.

Before plugging into a socket, check that your voltage corresponds with the voltage printed on the bottom of the appliance.

Avoid touching hot insides. Never let the cord come in contact with the inside.

Do not put metal objects into the toaster.

This appliance is not suitable for toasting crisp bread, rusk, or similar food.

Never cover the toaster slot, nor insert food covered with foil.

Never use without the crumb tray in place.

Only use in upright position.

Bread may burn. Therefore do not use near or below curtains or other flammable materials.

The appliance will get hot, especially the metal parts. Let it cool down before storing.

Braun electric appliances meet applicable safety standards. Repairs on electric appliances (including cord replacement) must only be carried out by authorized service centres. Faulty, unqualified repair work may cause accidents or injury to the user.

This appliance was constructed to process normal household quantities.

## Description

- A Switch for defrosting
- B Manual stop switch
- C Switch for rewarming
- D Bread lift
- E Variable browning control
- F Bread and roll rack  
(model HT 550/HT450 only)
- G Toaster slot
- H Crumb tray
- J Cord storage

Before using for the first time, heat up the empty toaster 2 to 3 times at setting «4». This will remove possible odours caused by manufacturing processes.

## Operation

You can toast all sizes of bread which fit the toaster slot.

- Ensure the crumb tray (H) is in place.
- Insert the bread, then push down the lift (D).
- With the variable browning control (E) choose the degree of browning you prefer from «1» (light) to «7» (dark).
- When the selected degree of browning has been reached, the bread will be lifted automatically.
- You can lift the bread further by shifting the lift (D) upwards. For your convenience, the bread lift remains in the upper position.
- If you wish to interrupt the toasting, push the manual stop switch (B). The bread will be lifted and the toaster will be turned off.
- If the toaster shuts off unexpectedly, simply start it again.

## Jammed bread

If bread is jammed in the toaster slot (G), unplug the toaster, let it cool down and carefully remove the jammed bread with a non-metallic, blunt tool.

## Frozen bread

If you wish to toast frozen bread insert the bread, choose the degree of browning you prefer (browning control E), push down the lift (D) and then push the switch for defrosting (A).

## Rewarming

If you wish to rewarm toast that has cooled down, push down the lift (D), then push the switch for rewarming (C).

## Bread and roll rack (model HT 550/HT450 only)

To warm up food which does not fit the toaster slot (G), you can use the bread and roll rack. Use the rack (F) only for bread, rolls and pastries. Do not attempt to use with cakes, pizza, baking tins or whole loaves. Such large foods will cause heat accumulation within the toaster. Also, do not place any rolls etc. on the rack which are wrapped in any kind of foil.

To warm, switch the browning control (E) to the position with the roll symbol and push down the lift (D).

Warming works best when putting max. 2 rolls on the roll rack.

## Cleaning

Always unplug the appliance and allow to cool down before cleaning. Never clean the appliance under running water, nor immerse it in water. Clean the exterior surfaces with a damp cloth only. Do not use steel wool or abrasive cleaners. Small amounts of dishwashing liquids may be used. Never use any solvents such as alcohol, gasoline or benzene. Occasionally pull out and empty the crumb tray (H).

Please do not dispose of the product in the household waste at the end of its useful life. Disposal can take place at a Braun Service Centre or at appropriate collection points provided in your country.



Subject to change without notice

This product conforms to the European Directives EMC 2004/108/EC and Low Voltage 2006/95/EC.



## Guarantee

We grant a 2 year guarantee on the product commencing on the date of purchase. Within the guarantee period we will eliminate any defects in the appliance resulting from faults in materials or workmanship, free of charge either by repairing or replacing the complete appliance at our discretion.

This guarantee extends to every country where this appliance is supplied by Braun or its appointed distributor.

This guarantee does not cover: damage due to improper use, normal wear or use as well as defects that have a negligible effect on the value or operation of the appliance. The guarantee becomes void if repairs are undertaken by unauthorised persons and if original Braun parts are not used.

To obtain service within the guarantee period, hand in or send the complete appliance with your sales receipt to an authorised Braun Customer Service Centre (address information available online at [www.service.braun.com](http://www.service.braun.com)).

### Internet:

[www.braun.com](http://www.braun.com)  
[www.service.braun.com](http://www.service.braun.com)

Braun GmbH  
Frankfurter Straße 145  
61476 Kronberg / Germany

99252343/I-10  
China/GB