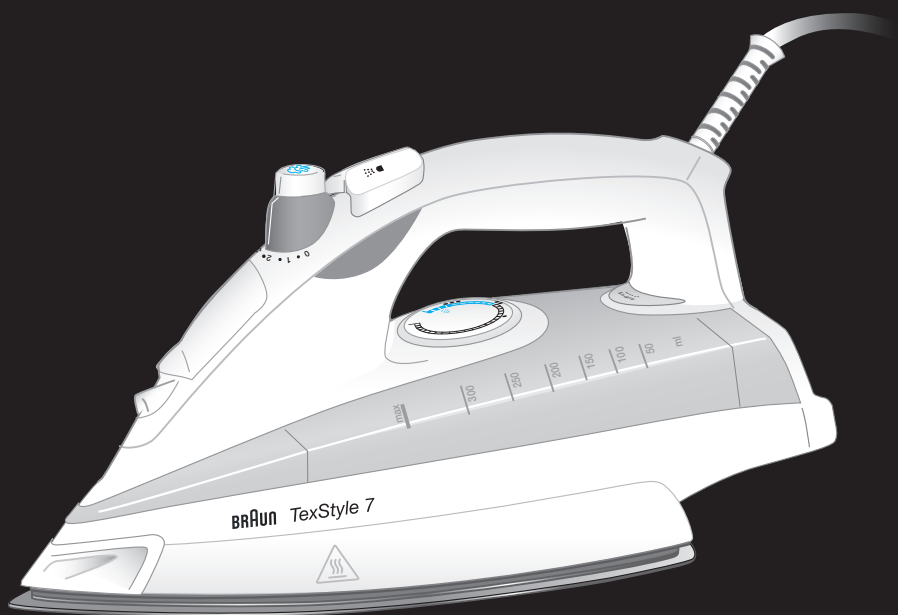


BRAUN

TexStyle 7



Type 4661

型号 4661

蒸汽熨斗

www.braunhousehold.com

TS 725
Steam Iron

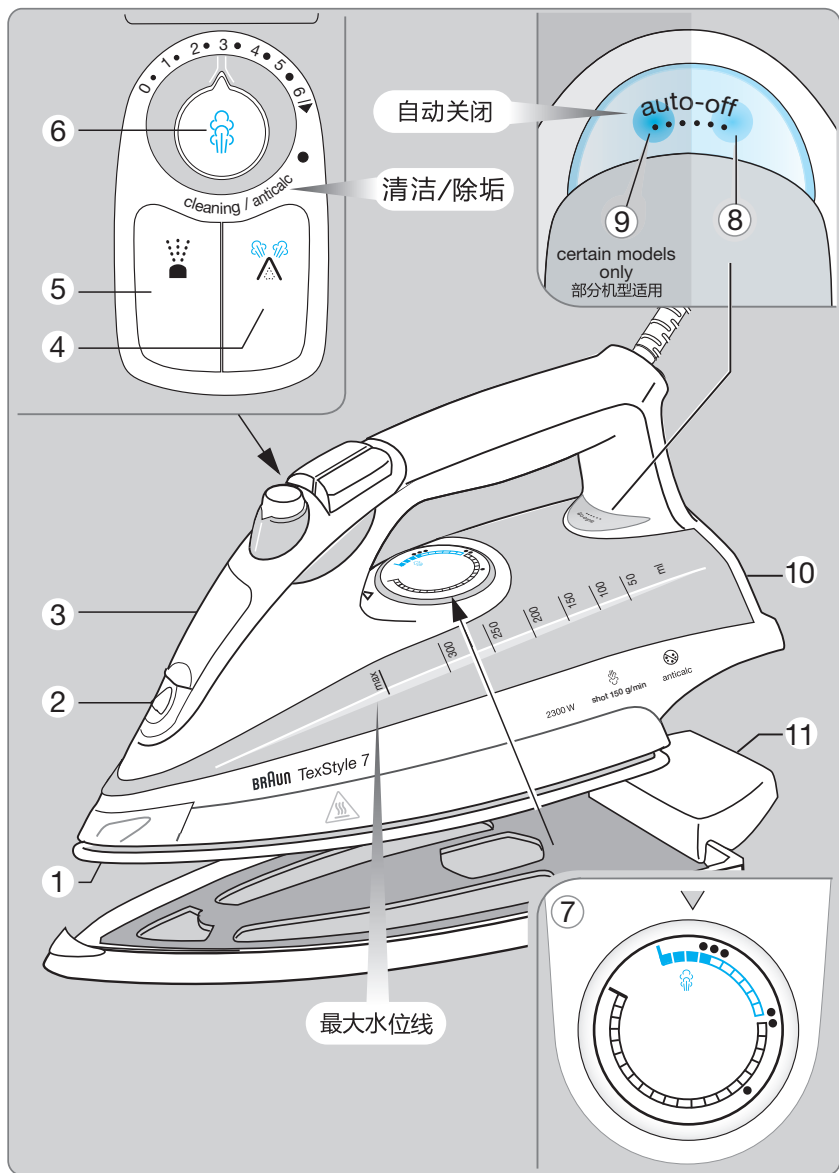
English 6

中文 9

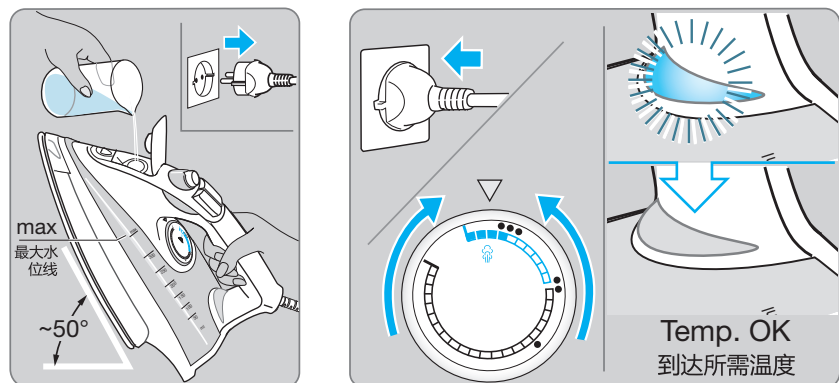
De'Longhi Braun Household GmbH
Carl-Ulrich-Straße 4
63263 Neu-Isenburg/Germany



A



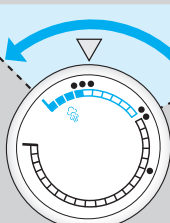
B



C

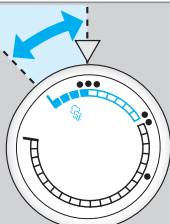
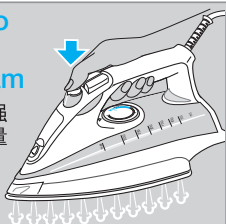
vario steam

可调节
蒸汽量



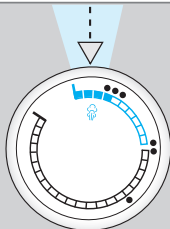
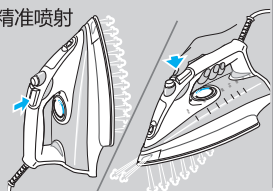
vario plus steam

可变强
蒸汽量



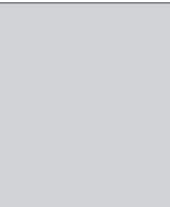
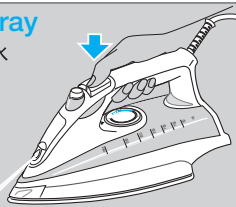
precision shot

精准喷射



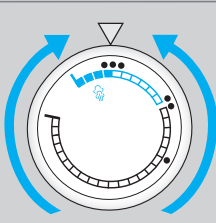
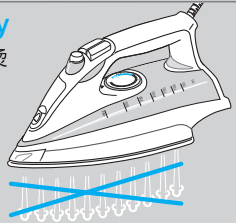
spray

喷水

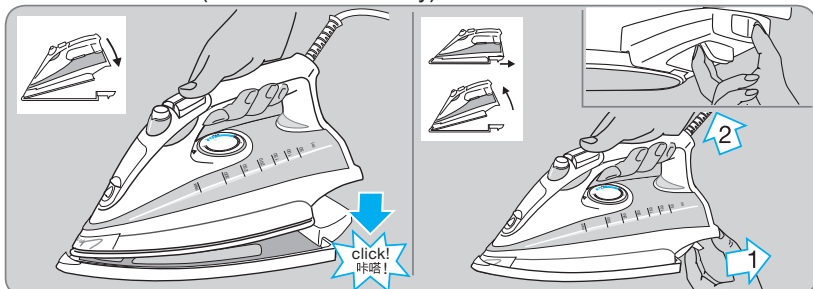


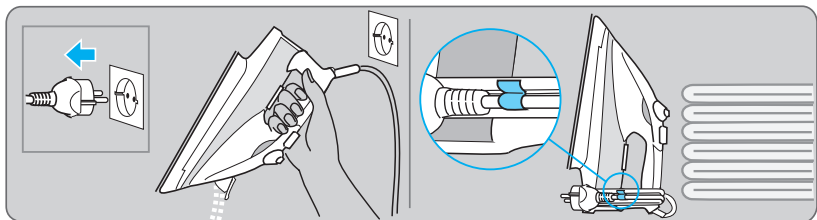
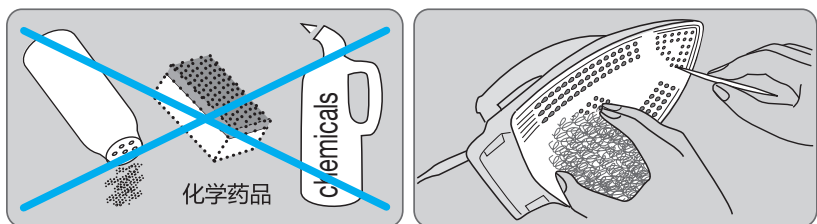
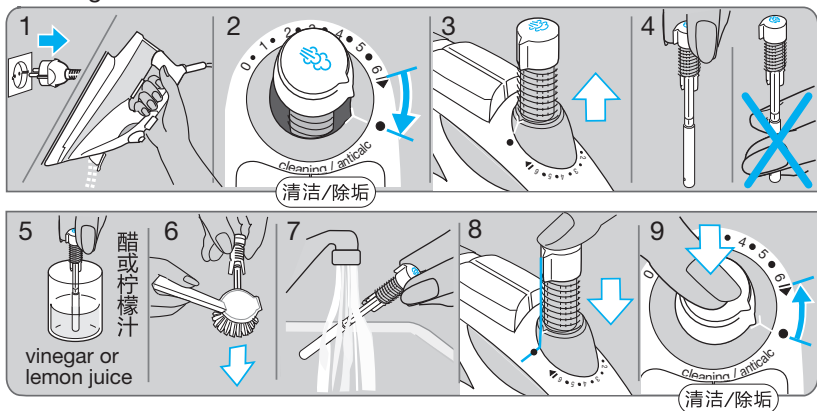
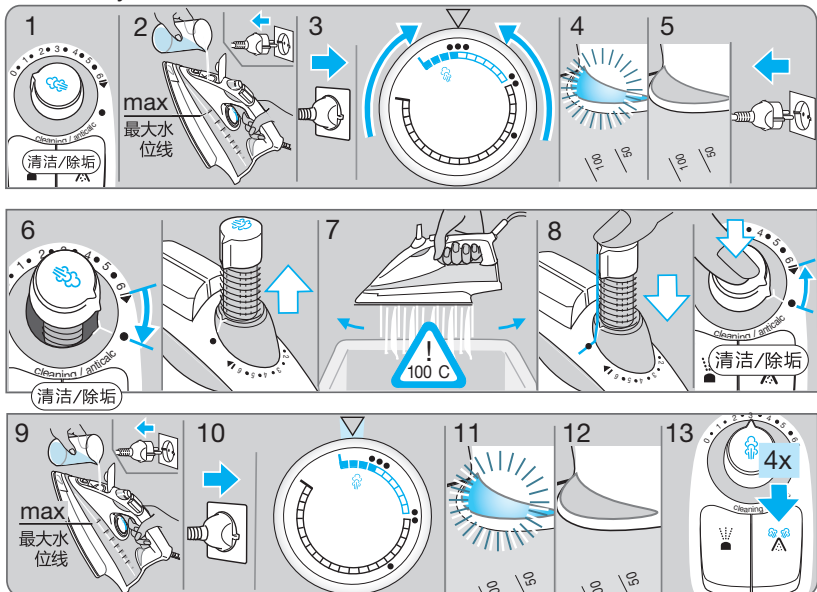
dry

干烫



D Textile Protector (certain models only) 织物保护底板(仅限特定型号)




E**F****G** Cleaning the anti-calc valve 清洁防钙化阀**H** Anticalc system 防钙化系统

English

Before use

Please read instructions carefully and completely before using the appliance.

Caution

-  **Caution: Hot surfaces!** Electric Irons combine high temperatures and hot steam that could lead to burns.
- **Caution:** Due to the high power of this steam iron please make sure that your mains supply is sufficient. Please contact your local electric power company to make sure that the so called mains impedance is not higher than 0.32 Ohm.
- This appliance can be used by children aged from 8 years and above and persons with reduced physical, sensory or mental capabilities or lack of experience and knowledge if they have been given supervision or instruction concerning use of the appliance in a safe way and understand the hazards involved.
- Children shall not play with the appliance.
- Cleaning and user maintenance shall not be made by children without supervision.
- During operation and cool-down the appliance and its mains cord shall be kept out of reach of children under 8 years.
- If the supply cord is damaged, it must be replaced by the manufacturer, its service agent or similarly qualified persons in order to avoid a hazard.
- Always unplug the station/iron before filling with water.
- The appliance must be used and rested on a stable surface.
- During ironing pauses, place the iron upright on its heel rest or on

- the iron rest. Ensure that the heel rest is placed on a stable surface.
- The iron must not be left unattended while it is connected to the supply mains.
- The appliance must not be used if it has dropped, if there are visible signs of damage or if it is leaking. Regularly check the cords for damages.
- Cleaning of the appliance should follow the instruction in the relevant section.
- Never immerse the unit in water or other liquids.
- This appliance is designed for household use only and for processing normal household quantities.
- The cords should never come in contact with hot objects, the soleplate, water and sharp edges.
- Before plugging into a socket, check whether your voltage corresponds with the voltage printed on the bottom of the appliance and that you are using an earthed socket.
- When using an extension cord watch out that it is in good condition, has a plug with an earth connection and corresponds with the power rating of the appliance (16A).
- The soleplate and the iron rest can reach very high temperatures that could lead to burns. Do not touch them.

A Description

- 1 Preconditioning nozzles
- 2 Spray nozzle
- 3 Water tank opening
- 4 Precision Shot button
- 5 Spray button
- 6 Steam regulator
- 7 Temperature selector
- 8 Temperature pilot light
- 9 «auto-off» light

- 10 Heel rest
- 11 Textile Protector

B Before starting off

This iron is designed for tap water. If you have extremely hard water, we recommend that you use a mixture of 50 % tap water and 50 % distilled water. Fill the water tank to «max» marking. Never use distilled water exclusively. Do not add any additives (e.g. starch). Do not use condensation water from a tumble dryer.

- Before filling with water, turn off the steam regulator («0» = steam off).
- Holding the iron slightly inclined (as shown in B), fill the water tank up to the «max» marking.
- Place the iron upright on its heel rest and connect it to the mains.

Select the temperature according to the ironing guide on the heel rest of the iron or on the label in your garments. The pilot light (8) goes off when the desired temperature is reached (after approx. 1 1/2 min.).

C Ironing

Vario steam

You can select the steam quantity by turning the steam regulator (6) in a range from «0» to «6».

The temperature selector has a minimum temperature level 2 (●●).

We recommend a medium steam setting for all normal ironing. Only when ironing linen, thick cotton or similar fabrics we recommend the maximum steam setting. Notice: While ironing, do not turn the steam regulator beyond setting «6».

Vario plus steam

For extra steam, press the steam regulator (6) for max. 30 seconds.

The temperature selector has a minimum temperature level 3 (●●●).

Precision Shot

Prior to use, press the Precision Shot button (4) 3 to 4 times to activate it.

Press the Precision Shot button in intervals of at least 5 seconds for a powerful steam shot with preconditioning steam. Precision Shot can be activated when dry ironing. However, the temperature selector has a minimum temperature level 3 (●●●). The Precision Shot function can also be used in the vertical position for steaming hanging clothes.

Caution: Hot steam comes out from the preconditioning nozzles.

Spray function

Press the spray button (5).

Dry ironing

Set the steam regulator (6) on position «0» (= steam off).

Automatic shut-off

The «auto-off» mechanism causes a slight rattling noise during ironing. This is normal and in no case indicates a fault of the iron. The red «auto-off» light (9) will flash when the automatic shut-off is activated.

This happens when the iron has rested:

– horizontally on its sole plate for about 30 seconds or

– vertically on its heel rest for about 8 minutes.

To turn on the iron again, just move it.

When the «auto-off» pilot light stops flashing, the electrical power is on again. The automatic shut-off will be activated approximately 2 minutes after the iron is plugged into a socket.

D Textile Protector

Before attaching the Textile Protector (10) for the first time, iron approximately 2 minutes without Textile Protector. The Braun Textile Protector protects delicate fabrics from heat damage and makes it possible to iron most dark fabrics without an intermediate cloth.

A special coating avoids shiny patches. However, in order not to damage the coating, avoid ironing over e.g. zippers, metal buttons/rivets or strass with the Textile Protector attached.

To check the reaction of your fabrics before you start ironing, we recommend that you iron a small section of material on the reverse side. With the Textile Protector, you are able to iron delicate fabrics with the temperature setting (●●●) to «max», so that you can use all steam functions your iron offers.

After having attached the Textile Protector, wait about 1 1/2 minutes before you start ironing. Always store your iron with the Textile Protector detached.

E After ironing

Unplug the iron and turn the steam regulator to position «0». To prolong the life of the iron, empty the water tank. Store the cool iron in a dry place always standing on its heel rest.

F Maintenance and cleaning

To clean the sole plate, use steel wool. Never use a scouring pad, vinegar or other chemicals.

G Cleaning the anticalc valve

The anticalc valve located on the lower end of the steam regulator has to be decalcified regularly (e.g. whenever steam development is insufficient). For this, the water tank has to be empty.

Removing the steam regulator with the anticalc valve

Turn the steam regulator clockwise towards the steam setting «6». Keep on turning firmly beyond the resistance until the steam regulator is lifted. When positioned at ●, pull it out vertically. Do not touch the anticalc valve at its lower end. Immerse the anticalc valve in vinegar (not vinegar essence) or lemon juice for a minimum of 30 minutes. Brush off remaining residues and rinse under running water (fig. G, 1-7).

Re-inserting the steam regulator

When re-inserting the steam regulator, make sure the steam regulator base still points on setting ● (fig. G 8). Firmly push down the steam regulator until it turns back to setting «6» (fig. G) where it catches.

Notice: The iron must never be used without steam regulator.

H Decalcifying/anticalc system

In order to clean the steam chamber from residues, decalcify it as shown in picture section H, 1-8.

Caution: Hot water and steam will come out from the sole plate when the steam regulator is turned clockwise beyond setting «6».

Wait for the sole plate to cool down, then clean it as described above. Then refill the tank with water, heat up the iron and press the precision shot button 4 times to rinse the iron before ironing (fig. H, 9-13).

Do not use commercial decalcifiers, they may damage the iron.

Trouble-shooting guide

Problem	Remedy
Drops coming out of the steam vents.	Turn the steam regulator anti-clockwise to reduce the steam or turn it off. Take longer intervals when pressing the Precision Shot button. Select a higher temperature setting.
Less steam develops or no steam at all.	Check water level. Clean the anticalc valve.
Calcium particles coming through the steam vents.	Decalcify the steam chamber.

Subject to change without notice.

Please do not dispose of the product in the household waste at the end of its useful life. Disposal can take place at a Braun Service Centre or at appropriate collection points provided in your country.



中文

使用前

使用产品前，请仔细阅读使用说明书。

注意



- 产品表面高温！电熨斗温度很高，加上高温蒸汽，可能会灼伤皮肤。
- 注意：将本电器与有效地接线的电源正确连接，且该电源最小的额定电流至少为10安倍。
- 本产品不适宜儿童、身体或精神上有缺陷者或缺乏相关使用经验和知识的人群使用，除非有专人负责照看或指导以保证他们的安全。
- 请勿让儿童把玩本产品。
- 请勿让儿童在无人监管的情况下清洁、维修本产品。
- 在熨斗工作或冷却过程中，请勿让儿童触碰本机或电源线，以免灼伤。
- 电源线损坏时，为了避免危险，请务必由制造商、代理商或相关专业人员更换。
- 在给水箱注水前，请务必将机器的电源线插头从插座上拔掉。
- 熨烫过程中，请勿打开水箱顶盖。
- 电熨斗必须在稳定的表面上使用和搁置。
- 暂停熨烫时，将熨斗垂直放置在稳定的平面上或放在熨斗座上。
- 在电熨斗接通电源期间，使用者不得离开。
- 如果电熨斗发生跌落，有可见的损坏迹象或有渗漏现象，则这个电熨斗不能使用。
- 清洗本机时请严格遵守相关说明。
- 请勿将熨斗或熨斗座浸入水或其他液体中。
- 本产品仅限于家用，适合熨烫普通家庭量的衣物。
- 电源线不能与高温物体、熨斗底板或尖锐物、水接触。
- 通电前，请确保电源电压与产品底部标注的电压一致。
- 底板和熨斗底座的高温，可能会导致烧伤。请勿触碰。
- 当把电熨斗放置在其支座上时，应确保支座已放在稳定的表面上。

描述

- 1 前置喷嘴
- 2 喷嘴
- 3 水箱顶盖
- 4 精准喷射按钮
- 5 喷水按钮
- 6 蒸汽调节旋钮
- 7 温度调节旋钮
- 8 温度指示灯
- 9 “自动关闭”指示灯(TS725不适用)
- 10 底座
- 11 织物保护底板(需另外购买)

B 开始使用前

本熨斗设计使用自来水。如若水质太硬，建议使用由50%的自来水与50%的蒸馏水组成的混合水。给水箱注水至“最大水位线Max”标记处。请勿只使用蒸馏水，不得在水箱内加入任何添加剂(如浆粉)。请勿使用用于滚筒干衣机的冷凝水。

- 注水前，将蒸汽调节旋钮(6)旋转至档位“0”。(“0”=关闭蒸汽)
- 略微倾斜熨斗(如图B所示)，往水箱注水至“最大水位线max”标记处。
- 请务必将熨斗垂直放置，并接通电源。根据熨斗底座的熨烫指示或衣物上的熨烫标识选择合适的熨烫温度。当熨斗达到所需的温度时(大约1.5分钟后)，温度指示灯(8)熄灭。

C 开始熨烫

可调节蒸汽

您可以通过旋转蒸汽调节旋钮(6)，在“0”至“6”的范围内选择合适的蒸汽量。温度调节旋钮建议设置的温度档位不低于2档(••)。

对于所有常规的熨烫操作，我们建议将蒸汽量设在中等档位。

只有在熨烫亚麻布、厚棉布或类似织物时，我们才建议使用最大蒸汽量档位。

注意：熨烫期间，请勿调节蒸汽调节旋钮超过档位“6”。

可变强蒸汽

当需要更多蒸汽时，按压蒸汽调节旋钮(6)，最多30秒。
温度调节旋钮建议设置的温度档位不低于3档(●●●)。

精准喷射

使用前，请按下精准喷射按钮(4)三至四次来激活该功能。
如需前置蒸汽喷嘴来实现更强的蒸汽喷射，每次按动精准喷射按钮的间隔在5秒钟以上。
干烫时也可以激活精准喷射功能。但是，温度调节旋钮建议设置的温度档位不低于3档(●●●)。
精准喷射功能还可以在垂直位置使用，用于熨烫悬挂着的衣物。
注意：高温蒸汽会从前置喷嘴(1)中喷出。

喷水功能

按下喷水按钮(5)。

干烫

将蒸汽调节旋钮(6)调至档位“0”(=关闭蒸汽)。

自动关闭(TS725不适用)

使用“自动关闭”功能时，会令熨斗在熨烫期间出现微弱的滴答声。这属于正常现象，并非意味着熨斗发生故障。当“自动关闭”功能被激活时，红色的“自动关闭”指示灯(9)将会闪烁。

在下列情况下，熨斗会自动关闭：

- 水平放置在底板上约30秒，或
- 垂直放置熨斗约8分钟

如需重新启动，仅需移动熨斗即可。

当“自动关闭”指示灯停止闪烁时，熨斗重新接通电源。在熨斗通电约2分钟后，“自动关闭”功能将被激活。

D 织物保护底板(需另外购买)

首次安装织物保护底板(11)前，请先使用本机熨烫大约2分钟。

博朗织物保护底板设计可以有效防止精致

的衣物受热损伤，而且，无需在衣物上铺放垫布，即可熨烫大部分衣物。
一种特殊的涂层可避免出现印迹。
但是，为了避免损坏涂层，请勿使用织物保护底板熨烫拉链、金属纽扣/铆钉和仿制钻石类区域。

在开始熨烫前，我们建议先对衣物背面的小块布料进行熨烫，以便检测熨烫效果。
使用织物保护底板时，您可以选择“●●●”到“最大max”之间的温度来熨烫精致衣物，并且可以使用熨斗提供的所有蒸汽功能。
安装好织物保护底板后，您需要等待大约1,5分钟后再开始熨烫。请每次卸下织物保护底板后再收纳存放熨斗。

E 熨烫后

拔掉熨斗插头，旋转蒸汽调节旋钮(6)至位置“0”。
为延长熨斗的使用寿命，请将水箱内的水全部排空。
待熨斗冷却后，请将其直立存储在干燥的地方。

F 维护和清洁

请使用海绵对熨斗底板进行清洁，然后再使用抹布对其进行擦拭。请勿使用酸性清洁垫、醋以及其他化学品。

G 清洁防钙化阀

熨斗防钙化阀位于蒸汽调节旋钮的下端，需要定期对其进行清洁(例如，当蒸汽量不足时)。为此，必须排空水箱。

拆下带有防钙化阀的蒸汽调节旋钮

顺时针旋转蒸汽调节旋钮，将蒸汽档位设定在“6”。用力旋转，直至蒸汽调节旋钮弹出。当位于清洁/除垢档位“●”时，将蒸汽调节旋钮垂直拔出。
请勿触碰防钙化阀的下端。将防钙化阀浸泡在醋(不是醋精)或柠檬汁中至少30分钟。接着用小刷子刷掉残渣，并用自来水冲洗干净(如图G, 1-7所示)

重新插入蒸汽调节旋钮

插入蒸汽调节旋钮过程中，请务必确保蒸汽调节旋钮仍然设置在清洁/除垢档位

“●”（如图G8所示）。

用力按下蒸汽调节旋钮直至其转回到档位“6”（如图G-9所示）

注意：严禁在未安装蒸汽调节旋钮的情况下使用熨斗。

H 除钙/防钙化系统

若要清洁蒸汽室内的残留物，对其进行脱钙，如图H，1-8所示。

1) 请务必保证蒸汽开关处于档位“0”（蒸汽关闭）

2) -3) 对水箱注水，连接电源开关，将温度设置在“●●●”的档位

4) -5) 当温度指示灯(8)熄灭时，拔下熨斗插头

6) -7) 顺时针旋转蒸汽调节旋钮，将蒸汽档位设定在“6”。用力旋转，直至蒸汽调节旋钮弹出。当处于清洁/除垢档位“●”位置时，将熨斗水平置于水槽上方，将蒸汽调节旋钮垂直拔出。

注意：严禁在未安装蒸汽调节旋钮的情况下使用熨斗。

注意：当蒸汽调节旋钮被顺时针旋转至超出档位“6”时，热水和热蒸汽将会从底板处跑出。

8) 将蒸汽调节旋钮插回并旋转到蒸汽量较低的位置。重新插入蒸汽调节旋钮时，**注意：**请务必保证蒸汽调节旋钮仍然设置在清洁/除垢档位“●”。用力旋转蒸汽调节旋钮直至其转回到档位“6”。等底板冷却后，再按照上述方法进行清洁。

熨烫前，重新对水箱注水，加热熨斗并按动精准喷射按钮4次以清洁熨斗（如图H，9-13所示）。

9) -10) 对水箱注水，连接电源开关，将温度设置在“最大Max”的档位

11-13) 当指示灯熄灭时，按动精准喷射按钮4次以清洗熨斗。断开熨斗电源，令底板冷却后，对熨斗进行清洁，如图G所示。请勿使用商用脱钙液，他们容易对熨斗造成损坏。

故障排除指南

问题	解决方法
蒸汽出口滴水	逆时针旋转蒸汽调节器来减少蒸汽量或关闭蒸汽。按下强喷射按钮时，使用间隔时间要更长。选择更高的温度设置。
蒸汽口没有蒸汽喷出	检查水位
或蒸汽喷出量较少	清洁防钙化阀
蒸汽口有钙颗粒出现	对蒸汽室进行除钙清洁（参见图示H）。

本说明若有更改，恕不另行通知。

使用寿命结束后，请勿将本产品与生活垃圾一起处理。您可将本产品送至国内博朗维修中心或合适的收集点进行处理。



保修

我们为产品提供为期两年的保修，保修期从购买日开始计算。

在保修期内对于产品因材料或生产过程引起的各种瑕疵，我们会视情况更换零件或整个产品。

申请保修必须将本产品和能够证明购买日期的证据(购货发票)一起交给授权的Braun维修站，本产品附有一张授权的维修站名单。

请确认已将购货发票放置在安全的地方。

上述保修不包括以下内容：

- 由于使用不当而造成的产品损坏(如：使用错误的电流、电压，将产品插入不合适的插座，或者人为损坏等)。
- 正常使用引起的产品老化、磨损，但对产品的使用功能及价值影响不大。
- 按行业惯例定义的易损、易耗件。
- 如果产品经过未经授权的人员的修理，或产品使用了非本公司(Braun)的零件，保修期即终止。

- 非家庭使用(如工业、商业用)引起的损坏。
- 在保修期内提供的服务并不影响保修期按时结束，保修期中更换的零件或整机的保修服务与本产品的保修期同时终止。
- 除非确有法律规定，本公司不对其他任何要求负责。同供货商的销售合同中规定的各项权利不受此保修的影响。

如果需要保修或维修，请与当地的维修站，或就近的维修站联系。

客服热线：400 827 1668



名称和产品中有害物质的含量

Name and content of hazardous substances in products

组件名称 Components Name	有害物质 Hazardous substances					
	铅 Lead (Pb)	汞 Mercury (Hg)	镉 Cadmium (Cd)	六价铬 Hexavalent Chromium (Cr (VI))	多溴联苯 Polybrominated biphenyls (PBB)	多溴二苯醚 Polybrominated diphenyl ethers (PBDE)
金属零件 Metal parts	×	○	○	○	○	○

本表格依据SJ/T 11364 的规定编制。This table is prepared in accordance with the provisions of SJ/T 11364.

○: 表示该有害物质在该部件所有均质材料中的含量均在GB/T 26572规定的限量要求以下。

○: The content of such hazardous substance in all homogeneous material of such components is below the limit required by GB/T 26572.

×: 表示该有害物质至少在该部件的某一均质材料中的含量超出GB/T 26572规定的限量要求。主要是由于受技术发展水平限制，暂时无法实现替代或减量化，正常使用条件下不会对使用者造成任何健康影响。

×: The content of such hazardous substance in a certain homogeneous material of such components is beyond the limit required by GB/T 26572, mainly due to the level of technical development situation, temporarily unable to achieve replacement or reduction. It will not cause any health issue under normal conditions of use.

